



## Motor Starting Auto Transformer

Motor starting auto transformer are for reduced the line voltage during the starting period. The auto transformer voltage taps provide a choice of three or four different starting current and torques, depending on the load requirements. Auto transformers starting limits motor starting high current demands which would cause line voltage drops resulting in light dimming and having damaging effects on voltage sensitive components, magnetic devices and motors.

### Technical Data :

Capacity :	3.75kW - 700kW
Tapping:	Single Tapping - 70% - from 3.75kW to 11kW Four Tapping - 40%, 50%, 60% & 75% - from 11kW to 66kW Three Tapping - 55%, 65% & 75% - 80kW to 700kW
Duty Ratings :	Maximun restart frequency 6-8 times per hour with even intervals
Starting Duration :	Within 5 seconds per start
Frequency :	50Hz or 60Hz
Operating Voltage :	<b>380V</b>
Insulation Class :	a) 155°C or Class F - 1PEW Polyester enamelled copper wire b) 180°C or Class H - EIW Polyester-imide enamelled copper wire
Thermo-protection :	Fitted with 90°C thermostat
Insulation Test :	2.5kV
Lamination Core :	High grade 0.50mm silicon steel
Termination Connection :	Nylon terminal block or chromed steel bolt & nut
Cooling :	Natural air cool

\*\* Other input voltage, % tapping and duty cycle can be supplied upon request.

### Special Application :

#### Auto Transformer for Heavy Duty Starting

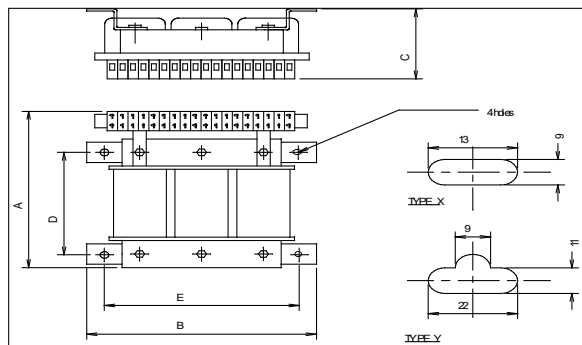
- \* industrial blowers / fan / flywheel, quarry factory, timber factory & etc.
- \* which exceeds 8 starts/hour
- \* which draws very high starting current.
- \* which starting duration exceeding 15 seconds.
- \* please refer with the manufacturer for special design.



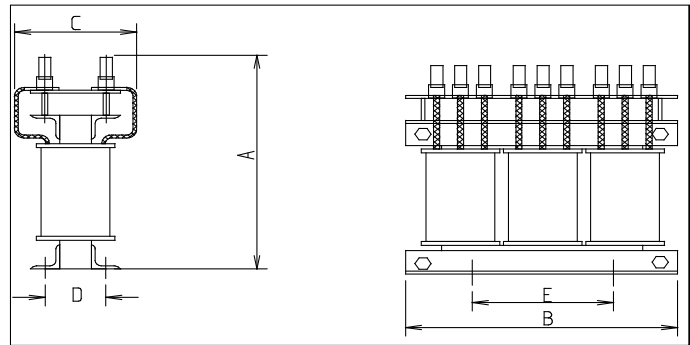
# Motor Starting Auto Transformer

## Technical Specification

Motor 380V 50Hz		Rated current of the motor	Thermostat	Tappings - %	Design Type	Insulation Class	Weight (kgs)
KW	HP	Amps.		% input vol.			
3.75	5	7.12	optional (1)	70%	A	F	5.70
5.5	7.5	10.45	optional (1)	70%	A	F	6.60
7.5	10	14.24	optional (1)	70%	A	F	7.50
11	15	20.89	optional (1)	70%	A	F	10.50
11 (4T)	15 (4T)	20.89	1	40%, 50%, 60% & 75%	B	F	11.50
15	20	28.49	1	40%, 50%, 60% & 75%	B	F	12.60
18.5	25	35.14	1	40%, 50%, 60% & 75%	B	F	14.50
22	30	41.78	1	40%, 50%, 60% & 75%	B	F	16.40
30	40	56.98	1	40%, 50%, 60% & 75%	B	F	17.50
37.5	50	71.22	1	40%, 50%, 60% & 75%	B	F	21.00
45	60	85.47	1	40%, 50%, 60% & 75%	B	F	23.50
56	75	106.36	1	40%, 50%, 60% & 75%	B	F	30.50
66	88	125.35	1	40%, 50%, 60% & 75%	B	F	31.20
80	107	151.94	1	55% , 65% , 75%	B	F	43.50
94	125	178.53	1	55% , 65% , 75%	B	F	44.00
110	150	208.92	1	55% , 65% , 75%	B/C	F	51.50
132	175	250.70	1	55% , 65% , 75%	C	F	64.00
150	200	284.89	3	55% , 65% , 75%	C	H	79.00
180	250	341.86	3	55% , 65% , 75%	C	H	91.00
200	268	379.85	3	55% , 65% , 75%	C	H	93.50
225	300	427.33	3	55% , 65% , 75%	C	H	99.50



Type A : Nylon Terminal Connector  
 Type B : Nylon Terminal Block  
 (Both are wall mounted)

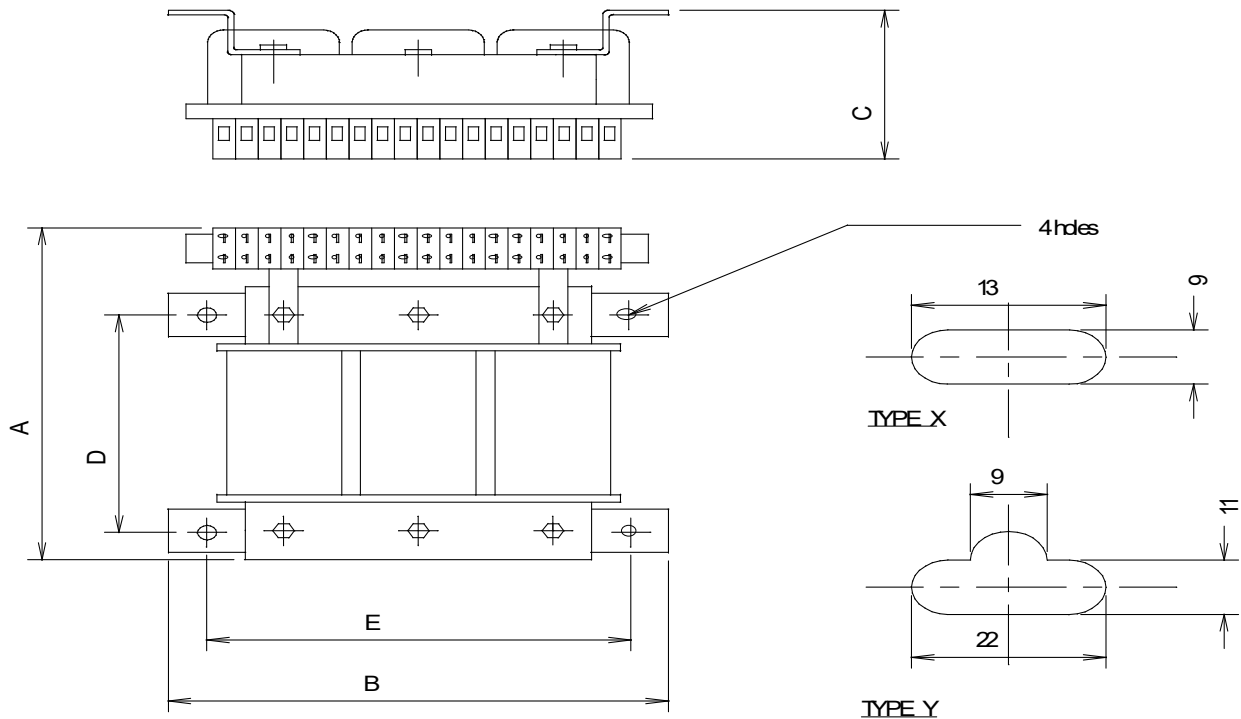


Type C : Bolt & Nut Connection  
 (Floor mounting type)



## Motor Starting Auto Transformer

### Auto Transformer Dimension (380V)



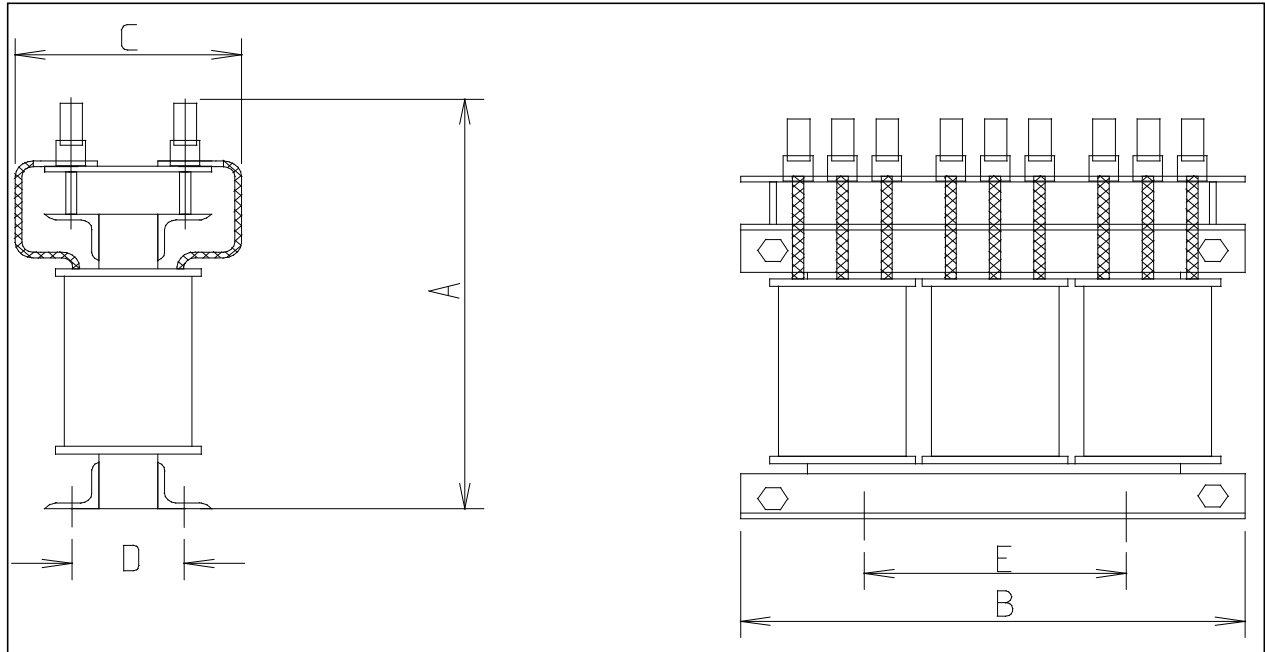
TYPE	Dimensions (mm)					Connection	Mounting Holes	Weight / Kg
	A	B	C	D	E			
3.75 kW	198	212	85	123	185	Connector	X	5.70
5.5 kW	198	212	85	123	185	Connector	X	6.60
7.5 kW	198	212	90	123	185	Connector	X	7.50
11kW S/T	215	235	98	142	208	Connector	X	10.50
11 kW 4/T	233	235	130	142	208	Ter. Blocks	X	11.50
15 kW	233	235	135	142	208	Ter. Blocks	X	12.60
18.5 kW	233	235	140	142	208	Ter. Blocks	X	14.50
22 kW	252	260	130	164	230	Ter. Blocks	X	16.40
30 kW	252	260	138	164	230	Ter. Blocks	X	17.50
37.5 kW	258	260	155	164	230	Ter. Blocks	X	21.00
45 kW	258	260	160	164	230	Ter. Blocks	X	23.50
56 kW	290	310	175	185	268	Ter. Blocks	Y	30.50
66 kW	290	310	178	185	268	Ter. Blocks	Y	31.20
80 kW	320	340	196	205	295	Ter. Blocks	Y	43.50
94 kW	320	340	200	205	295	Ter. Blocks	Y	44.00

\* Dimension are close approximation, may change without notice



## Motor Starting Auto Transformer

### Auto Transformer Dimension (380V)



TYPE	Dimensions (mm)					Connection	Weight / Kg
	A	B	C	D	E		
80kW	360	306	220	125	255	Bolt & Nut	50.00
94kW	360	306	220	130	255	Bolt & Nut	52.00
110kW	360	306	240	150	255	Bolt & Nut	55.00
132kW	360	306	250	155	255	Bolt & Nut	64.00
150kW	420	380	230	155	250	Bolt & Nut	79.00
180kW	420	380	240	160	250	Bolt & Nut	91.00
200kW	420	380	240	170	250	Bolt & Nut	93.50
225kW	420	380	250	170	250	Bolt & Nut	99.50

\* Dimension are close approximation, may change without notice